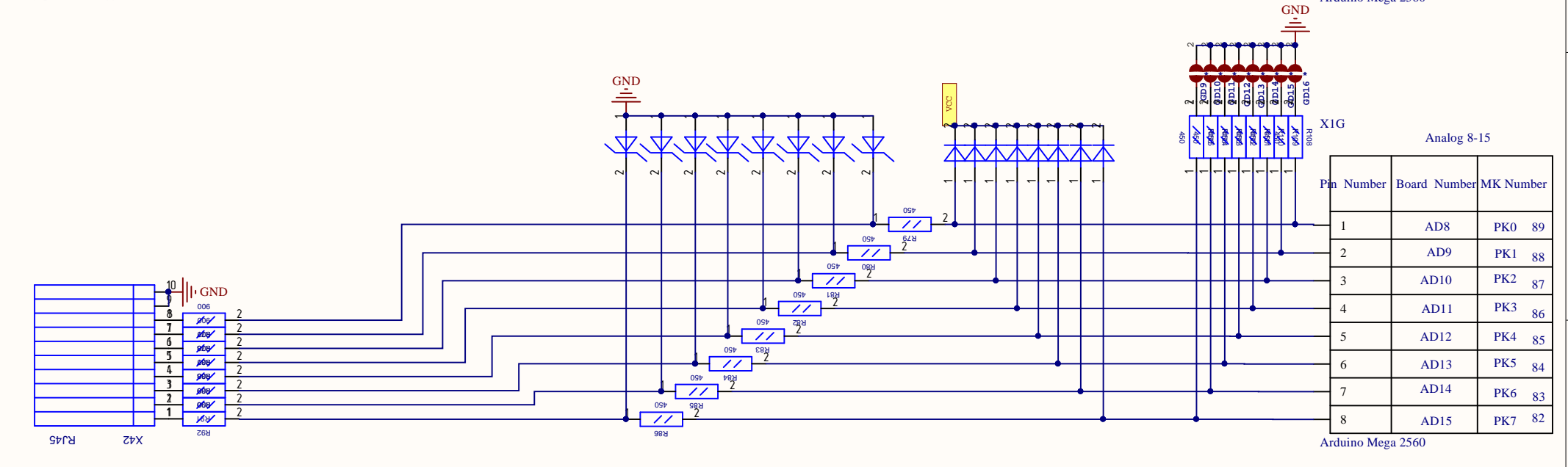


X1F
Analog 0-7

Pin Number	Board Number	MK Number
1	AD0	PK0 97
2	AD1	PF1 96
3	AD2	PF2 95
4	AD3	PF3 94
5	AD4	PF4 93
6	AD5	PF5 92
7	AD6	PF6 91
8	AD7	PF7 90


Arduino Mega 2560



X1G
Analog 8-15

Pin Number	Board Number	MK Number
1	AD8	PK0 89
2	AD9	PK1 88
3	AD10	PK2 87
4	AD11	PK3 86
5	AD12	PK4 85
6	AD13	PK5 84
7	AD14	PK6 83
8	AD15	PK7 82

Arduino Mega 2560

Title			Altium Limited L3, 12a Rodborough Rd Frenchs Forest NSW Australia 2086	
Size: A4	Number:	Revision:		
Date: 10.07.2018	Time: 10:07:09	Sheet of		
File: C:\Users\Electron2\Desktop\готовые проекты\LightHub\Analog Inputs.SchDoc				

1

2

3

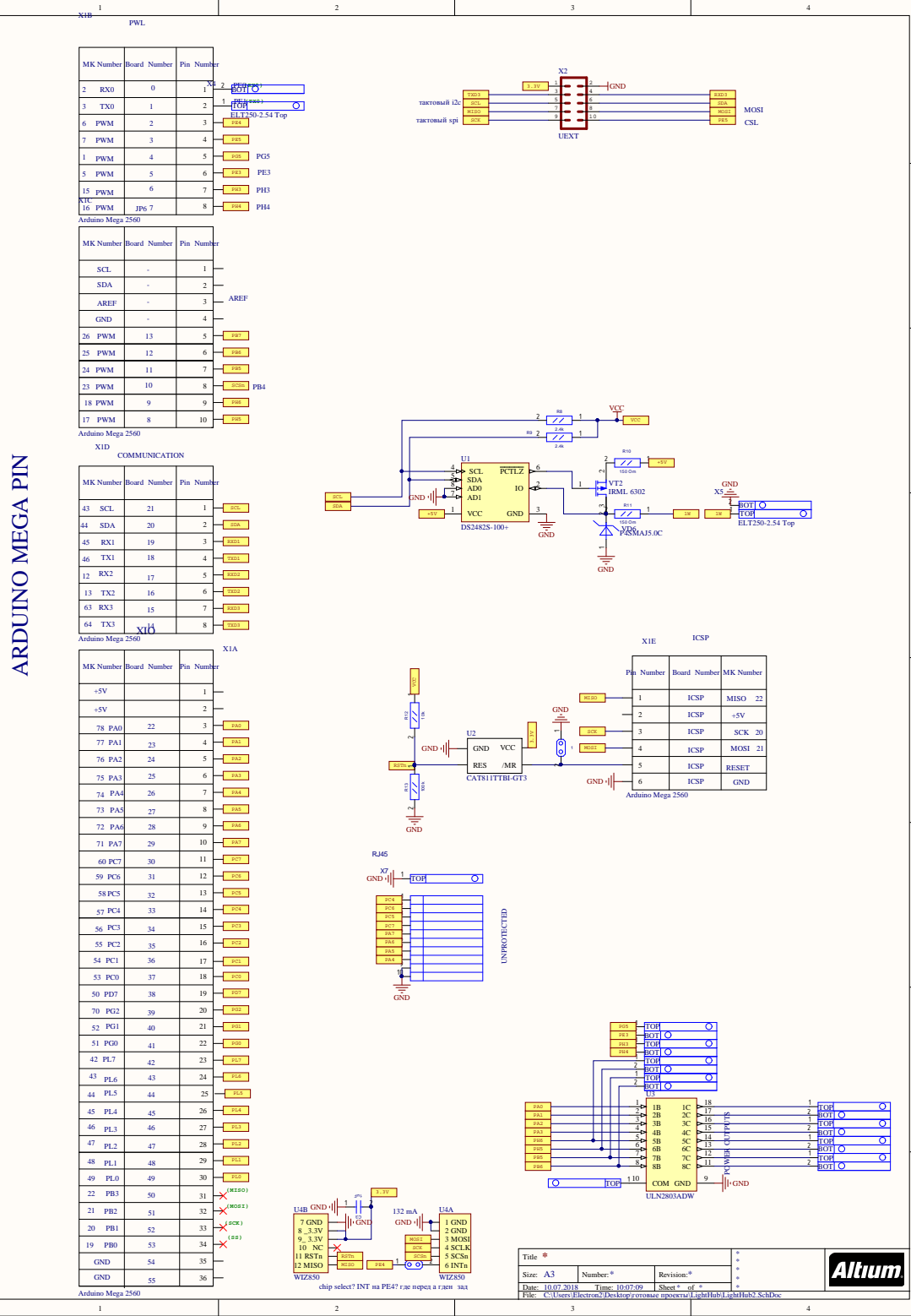
4

1

2

3

4



MK Number	Board Number	Pin Number
2	RX0	0
3	TX0	1
6	PWM	2
7	PWM	3
1	PWM	4
5	PWM	5
15	PWM	6
16	PWM	7
16	PWM	8

Arduino Mega 2560

MK Number	Board Number	Pin Number
SCL	-	1
SDA	-	2
AREF	-	3
GND	-	4
26	PWM	13
25	PWM	12
24	PWM	11
23	PWM	10
18	PWM	9
17	PWM	8

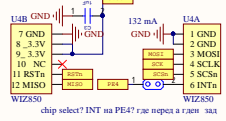
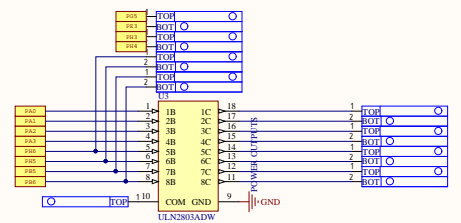
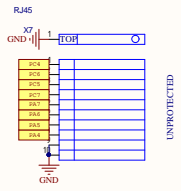
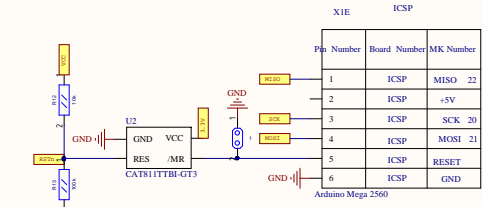
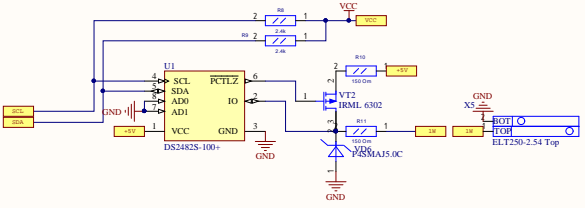
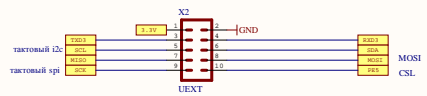
Arduino Mega 2560

X10 COMMUNICATION

MK Number	Board Number	Pin Number
43	SCL	21
44	SDA	20
45	RX1	19
46	TX1	18
12	RX2	17
13	TX2	16
63	RX3	15
64	TX3	14

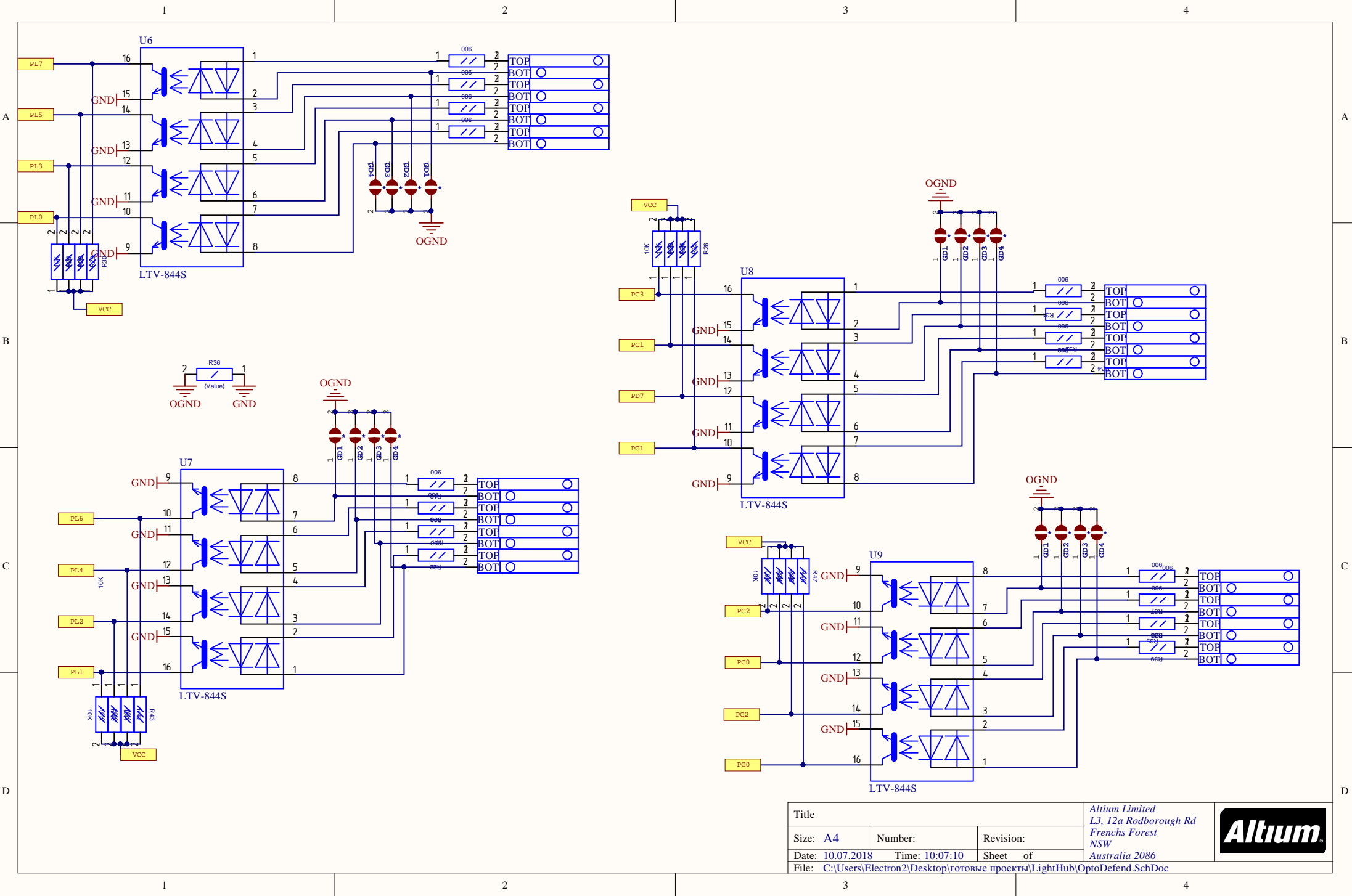
Arduino Mega 2560

MK Number	Board Number	Pin Number
+5V		1
+5V		2
78	PA0	22
77	PA1	23
76	PA2	24
75	PA3	25
74	PA4	26
73	PA5	27
72	PA6	28
71	PA7	29
60	PC7	30
59	PC6	31
58	PC5	32
57	PC4	33
56	PC3	34
55	PC2	35
54	PC1	36
53	PC0	37
50	PD7	38
70	PG2	39
52	PG1	40
51	PG0	41
42	PL7	42
43	PL6	43
44	PL5	44
45	PL4	45
46	PL3	46
47	PL2	47
48	PL1	48
49	PL0	49
22	PB3	50
21	PB2	51
20	PB1	52
19	PB0	53
GND		54
GND		55
GND		56

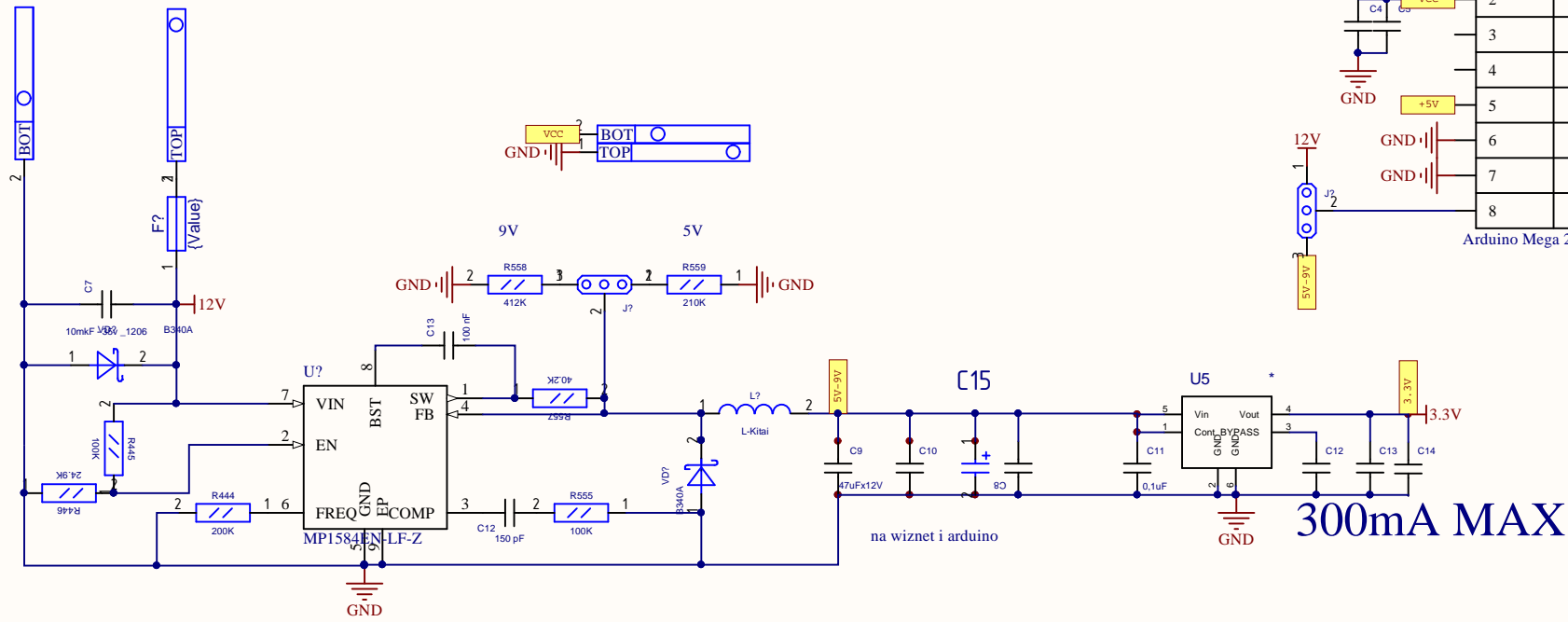


Title *	Number *	Revision *
Size: A3	Date: 10.07.2018	Time: 10:07:09
Sheet * of *	File: C:\Users\Electron2\Desktop\crouse\spocvsw\LightHub1\LightHub2_SchDoc	





Title			Altium Limited L3, 12a Rodborough Rd Frenchs Forest NSW Australia 2086	
Size: A4	Number:	Revision:		
Date: 10.07.2018	Time: 10:07:10	Sheet of		
File: C:\Users\Electron2\Desktop\готовые проекты\LightHub\OptoDefend.SchDoc				



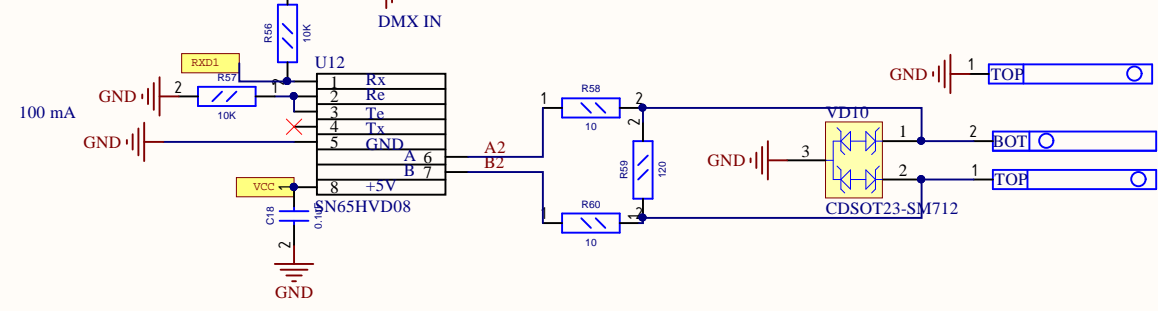
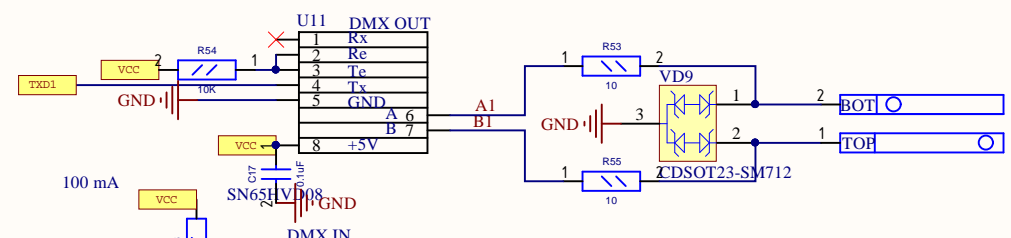
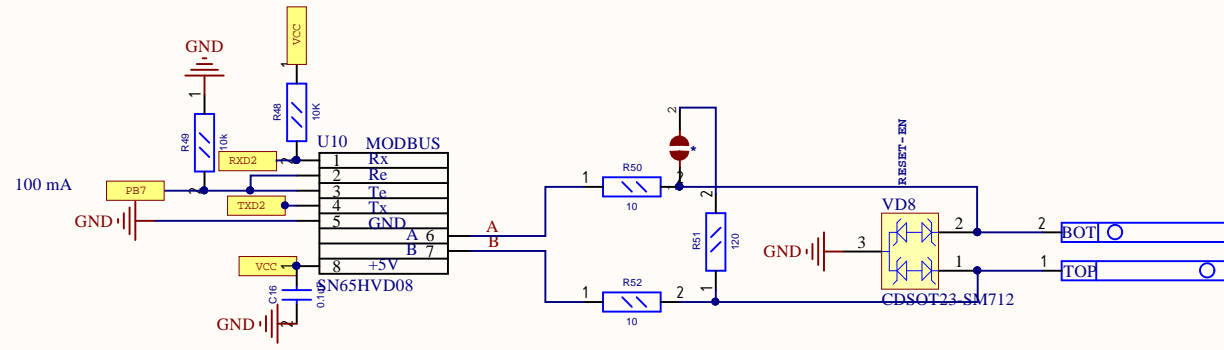
X1H

Power

Pin Number	Board Number	MK Number
1		
2	IOREF	
3	RESET	
4	3V3	
5	5V	
6	GND	
7	GND	
8	Vin	

Arduino Mega 2560

Title			Altium Limited L3, 12a Rodborough Rd Frenchs Forest NSW Australia 2086	
Size: A4	Number:	Revision:		
Date: 10.07.2018	Time: 10:07:10	Sheet of		
File: C:\Users\Electron2\Desktop\готовые проекты\LightHub\Pitanie.SchDoc				



Title			Altium Limited L3, 12a Rodborough Rd Frenchs Forest NSW Australia 2086	
Size: A4	Number:	Revision:		
Date: 10.07.2018	Time: 10:07:10	Sheet of		
File: C:\Users\Electron2\Desktop\готовые проекты\LightHub\SN65HVD08.SchDoc				

Boards